

FLEXIS PLUS



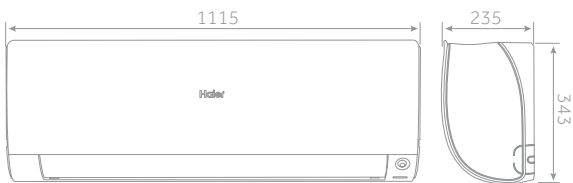
AS25 - AS35



AS50

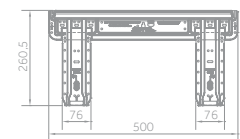


AS71

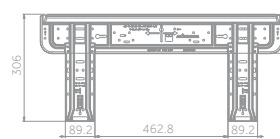


MOUNTING DIMENSIONS

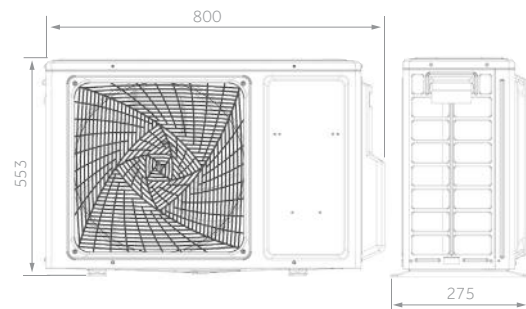
AS25-AS35-AS42-AS50



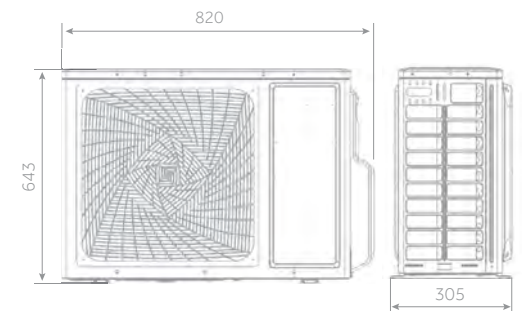
AS71



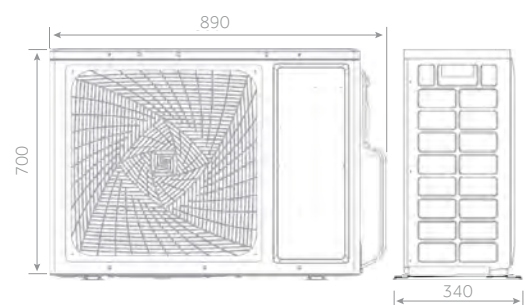
1U25 - 1U35



1U50



1U71



2,5 kW - 3,5 kW

5,0 kW

7,1 kW

FLEXIS PLUS

Haier

2,5 kW

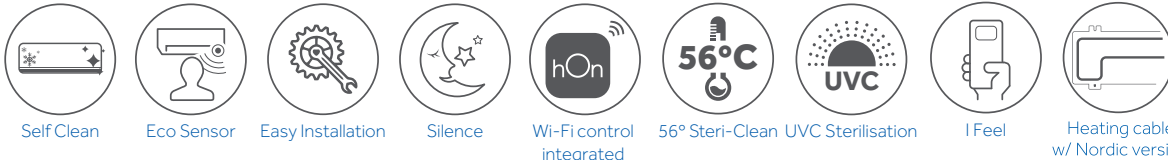
3,5 kW

5,0 kW

7,1 kW



Standard HQ-HJ



- Self-Clean
- Eco sensor
- Easy installation
- Low noise level
- Wi-Fi control integrated
- 56°C Steri-Clean
- 3D airflow: continuous movement of horizontal and vertical deflectors
- Heating cable w/Nordic version
- UVC Sterilisation



| INDOOR UNIT BLACK | Model | AS25S2SF1FA-MB3 | AS35S2SF1FA-MB3 | AS50S2SF1FA-MB3 | AS71S2SF1FA-MB3 | |
|---|---------------|---------------------|-------------------|-------------------|----------------------|----------------------|
| INDOOR UNIT WHITE | Model | AS25S2SF1FA-MW3 | AS35S2SF1FA-MW3 | AS50S2SF1FA-MW3 | AS71S2SF1FA-MW3 | |
| OUTDOOR UNIT STANDARD | Model | 1U25S2SM1FA-2 | 1U35S2SM1FA-2 | 1U50S2SJ2FA-2 | 1U71S2SR2FA | |
| OUTDOOR UNIT NORDIC | Model | 1U25MEHFRA-1 | 1U35MEHFRA-1 | 1U50KEFRA-1 | - | |
| Performance data | | | | | | |
| Output power - COOLING | nom (min-max) | kW | 2,60 (0,80-3,20) | 3,50 (1,00-4,00) | 5,20 (1,40-6,00) | 7,00 (2,20-7,50) |
| Output power - HEATING | nom (min-max) | kW | 3,20 (0,80-4,20) | 4,20 (1,00-5,20) | 6,00 (1,40-6,90) | 8,00 (2,40-8,50) |
| Absorbed power - COOLING | nom (min-max) | kW | 0,650 (0,20-1,20) | 0,870 (0,30-1,50) | 1,413 (0,50-2,00) | 2,167 (0,70-2,50) |
| Absorbed power - HEATING | nom (min-max) | kW | 0,800 (0,30-1,50) | 1,102 (0,50-1,60) | 1,500 (0,52-2,35) | 2,156 (0,70-2,90) |
| Energy class | EER | W/W | 4,00 | 4,00 | 3,60 | 3,23 |
| | COP | W/W | 4,00 | 3,81 | 4,00 | 3,71 |
| COOLING Pdesign | 35 °C | kW | 2,60 | 3,50 | 5,20 | 7,00 |
| HEATING Pdesign | (-10 °C) | kW | 2,40 | 2,80 | 4,60 | 5,60 |
| Energy class | SEER | | 8,50 (A+++) | 8,50 (A+++) | 7,20 (A++) | 7,10 (A++) |
| | SCOP | | 4,60 (A++) | 4,60 (A++) | 4,60 (A++) | 4,00 (A+) |
| Annual Energy Consumption - COOLING | | kWh/a | 107 | 144 | 253 | 345 |
| Annual Energy Consumption - HEATING | | kWh/a | 731 | 854 | 1400 | 1959 |
| Indoor Unit | | | | | | |
| Power supply | | Ph/V/Hz | 1/220-240/50 | 1/220-240/50 | 1/220-240/50 | 1/220-240/50 |
| Treated air volume | H | m ³ /h | 600 | 650 | 900 | 1100 |
| Dehumidification | | L/h | 1,2 | 1,6 | 2,0 | 2,8 |
| High sound power - COOLING | | dB | 53 | 55 | 57 | 60 |
| High sound power - HEATING | | dB | 53 | 55 | 57 | 60 |
| Sound pressure - COOLING | | dB(A) | 38/32/25/16 | 39/33/26/17 | 45/41/37/28 | 47/43/37/33 |
| Sound pressure - HEATING | | dB(A) | 38/32/25/19 | 39/33/26/20 | 45/41/37/28 | 47/43/37/33 |
| Net dimensions | WxDxH | mm | 856x197x300 | 856x197x300 | 999x225x323 | 1115x235x343 |
| Packaging dimensions | WxDxH | mm | 952x283x389 | 952x283x389 | 1100x314x420 | 1202x319x432 |
| Net/gross weight | | kg | 9,5/12,0 | 9,5/12,0 | 12,0/15,0 | 15,2/18,2 |
| Outdoor Unit | | | | | | |
| Power supply | | Ph/V/Hz | 1/220-240/50 | 1/220-240/50 | 1/220-240/50 | 1/220-240/50 |
| Power cable | | N x mm ² | 3 x 1,5 | 3 x 1,5 | 3 x 2,5 | 3 x 2,5 |
| Interconnection cable | | N x mm ² | 4 x 1,0 | 4 x 1,0 | 4 x 1,0 | 4 x 1,0 |
| Sound power | H | dB | 59 | 61 | 63 | 70 |
| Sound pressure | H | dB(A) | 47 | 48 | 50 | 57 |
| Running current cooling/heating | Max | A | 6,8/6,8 | 7,2/7,2 | 10,68/10,68 | 13,0/13,0 |
| Starting current cooling/heating | Max | A | 1,5/1,5 | 1,5/1,5 | 2,0/2,0 | 2,0/2,0 |
| Net dimensions | WxDxH | mm | 800x275x553 | 800x275x553 | 820x305x643 | 890x340x700 |
| Packaging dimensions | WxDxH | mm | 902x375x607 | 902x375x607 | 940x390x697 | 1046x460x780 |
| Net/gross weight | | kg | 27,6/30,4 | 30,0/32,9 | 35,7/38,5 | 45,0/50,0 |
| Compressor type | | | Rotary inverter | Rotary inverter | Twin rotary inverter | Twin rotary inverter |
| Installation data | | | | | | |
| Refrigerant | | | R32 | R32 | R32 | R32 |
| Liquid pipe | ∅ | mm (inch) | 6,35 (1/4) | 6,35 (1/4) | 6,35 (1/4) | 9,52 (3/8) |
| Gas pipe | ∅ | mm (inch) | 9,52 (3/8) | 9,52 (3/8) | 12,70 (1/2) | 15,88 (5/8) |
| Standard pipe length without refrigerant charge | | m | 7 | 7 | 7 | 7 |
| Maximum pipe length | | m | 20 | 20 | 25 | 50 |
| Maximum IU - OU elevation | | m | 10 | 10 | 15 | 30 |
| Refrigerant charge in the factory | | kg | 0,63 | 0,78 | 1,10 | 1,30 |
| Refrigerant charge in the factory | | TCO ₂ eq | 0,43 | 0,53 | 0,74 | 0,88 |
| Additional ref. charge over std length | | g/m | 20 | 20 | 20 | 45 |
| Operating limits - COOLING (in/out) | min-max | °C | 21~35°C/-20~43°C | | | |
| Operating limits - HEATING (in/out) | min-max | °C | 10~27°C/-20~24°C | | | |

The data in this catalogue is purely indicative as the data may vary. Please be advised to check the accuracy of the data with the supplier before purchasing products.